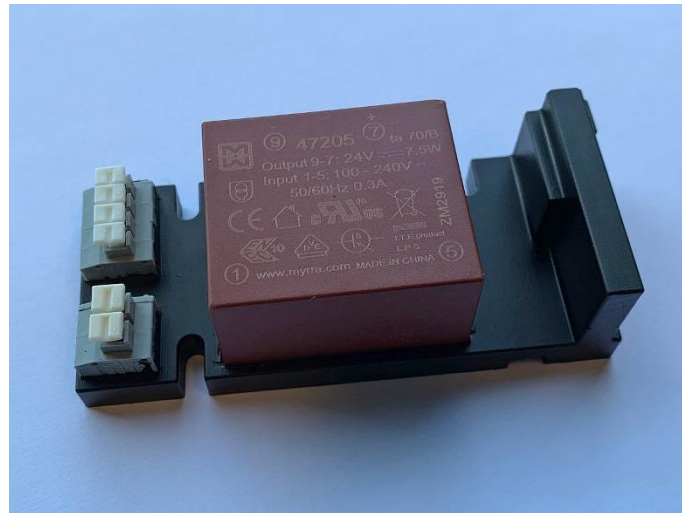


Installation Instruction

mini BLC Modbus server



The Mymesh mini BLC Modbus server is a product in the Chess program for (building) light control. The mini BLC Modbus server is a wireless light controller by a Modbus client. One Modbus client can control multiple Modbus server devices.

Safety



- Installation and service should be performed by qualified personnel only.
- The mains connection of the mini BLC Modbus server must be provided with a fuse or circuit breaker.
- Disconnect power at the source before installation, inspection or removal of the mini BLC Modbus server.
- Do not use the mini BLC Modbus server if it is damaged.



- The mini BLC Modbus server is suitable for use at indoor locations (IP20 protection class). Mount the mini BLC Modbus server in an IP66 housing for use at outdoor locations.
- The mini BLC Modbus server is double insulated (protection class II).

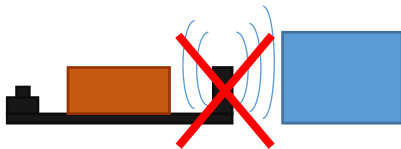
Application

Read the mini BLC Modbus server product sheet (see chess.nl) for the product specifications and environmental conditions.

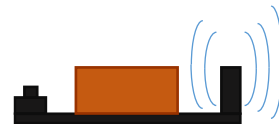
Location

The mini BLC Modbus server is provided with an internal antenna for wireless communication with other Mymesh products. It is important that the operation of the antenna is not disturbed. The antenna is present in the vertical part at one of the small sides (see drawing).

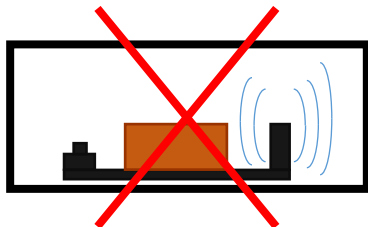
- Do not mount the mini BLC Modbus server inside a metal housing or directly next to a large metal object.
- Some glass and plastic materials influence the operation of an antenna.
- Use a plastic, polycarbonate or fiberglass housing **without** carbon
- Install the mini BLC Modbus server in the direct neighborhood of other Mymesh products.



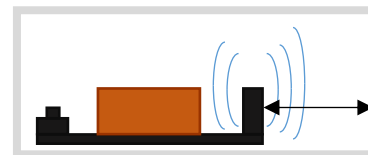
Do not mount the antenna of the mini BLC Modbus server in the direct neighborhood of large metal objects.



Ensure that there is free space around the antenna of the mini BLC Modbus server.



Do not mount the mini BLC Modbus server in a metal case or cabinet,

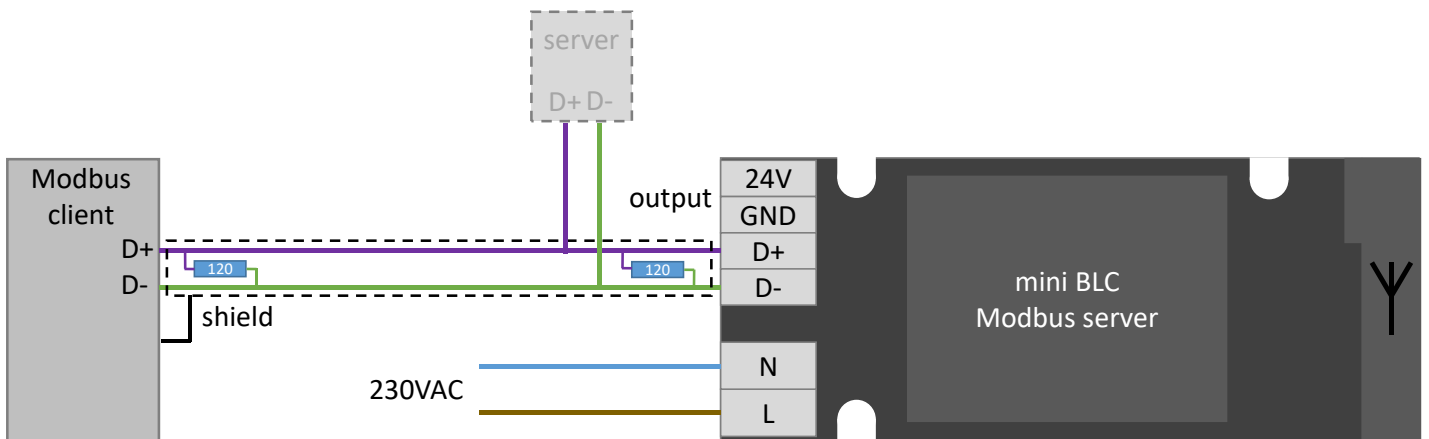


Mount the mini BLC Modbus server in a plastic housing. Keep the antenna free from the plastic.

Installation

- Mount the mini BLC Modbus server with 3x M3 screw/bolt.
- Use maximal 1.5 mm² wiring for all connections. Push the wires completely into the terminal block. Use wire end sleeves when using flexible wires.
- Connect the 230VAC supply voltage to the mini BLC Modbus server.
- Use shielded 24 AWG cable (or better), e.g. a CAT6 FTP cable.
- Connect the Modbus connections of the Modbus Client with the connections of the mini BLC Modbus server(s). Pay close attention to the polarity of the connection (see installation diagram below).
- Place 120 Ohm termination resistors on both sides of the RS-485 Modbus.
- Connect the cable shield at just **one** side to a mini BLC Modbus server
- Maximum cable length is 1000m, connections to secondary mini BLC Modbus servers should be limited to 1m.

Mini BLC Modbus server + Modbus client:



Configuration

Power the mini BLC Modbus server. Use the iPad Mymesh commission app for configuration of the mini BLC Modbus server.

Usage

The mini BLC Modbus server will control the configured lamps

Compliance



This product complies with the European directives and relevant standards for low voltage, EMC, RED, REACH and RoHS. The mini BLC Modbus Server contains a 2.4 Ghz radio. The applied frequency of the radio is within the band 2.401 – 2.483 GHz and the maximum transmit power is +4 dBm.

Hereby, Chess Wise declares that the radio equipment type mini BLC Modbus server is in compliance with Directive 2014/53/EU. The full text of the EU declaration of conformity is available at chess.nl

Repair

Do not open this product. In case of failure the mini BLC Modbus server must be replaced.



Recycling

Do not dispose this product as household waste but bring it to an appropriate collection point for recycling.