

Mymesh Product sheet

Connect any light, anywhere.



Micro BLC

Wirelessly control any make or type of luminaire

The Micro BLC is a smart lighting module with clip-on sensor options. A Micro BLC enables you to easily control a dimmable luminaire and add a motion sensor for automatic control options.

Technical summary

The Micro BLC is powered via the new DiiA DALI standard or the driver's always-on auxiliary power supply.

The Micro BLC supports the following controllers:

- DALI 1.0 for Philips SR and Osram Dexal drivers
- New DiiA DALI 2.0 standard -under development-
- 0-10V Dim
- Inventronics serial communication

Customisation

A add-on PIR motion detector can be connected to the Micro BLC. We provide four different types of motion detectors, covering most applications.

Network features

- Wireless, stand-alone network that is self-organizing and self-healing
- 2.4GHz communication for reliable data transfer
- Secure by design
- Ultra-scalable to > 10.000 fixtures in one network
- Low operational cost

Special features:

- Dimming and switching of a wide range of lights
- Low energy consumption by using the latest RF technology
- Up to 90% energy savings with light control
- Data logging

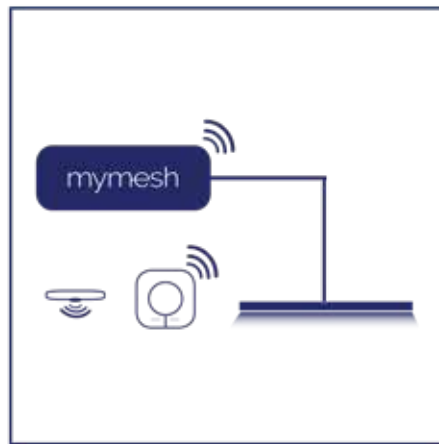
Optional

- On-the-fly (re) commissioning with the Mymesh commissioning app*
- Connect to third-party back-office / Light Management system (LMS) via a Mymesh Ethernet Gateway

Smart lighting in 3 steps



1. Connect Mymesh to your lights



2. Add sensors and switches



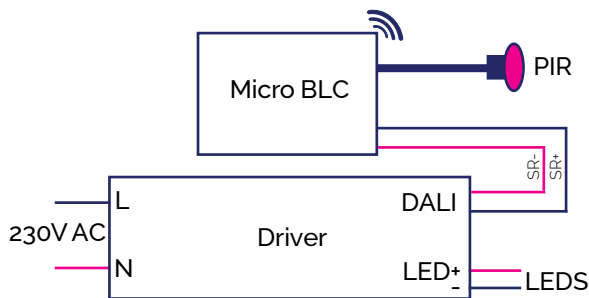
3. Configure the network via the App.

Technical specifications

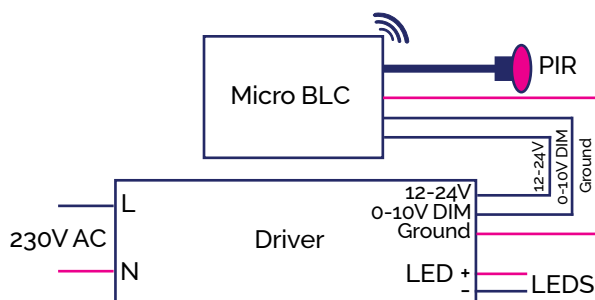
Connections

Wiring: 0.2 - 0.5 mm² (AWG 24-22, solid conductor)

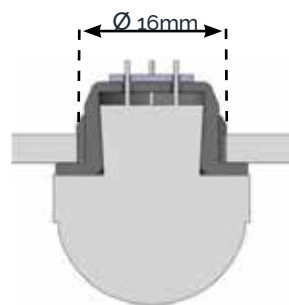
Installation: Philips Sensor Ready or OSRAM Dexal driver



Installation: 0-10V dimmable driver with aux power supply



PIR Installation



PIR add-on connection:
Ø 16mm

Motion detection

Type: Passive Infrared (PIR) with domed multi-lens

1. Slight Motion PIR

Typical installation height 3 m with slow movement speed
Range: Horizontal 360°, Vertical 104°

2. Standard sensitivity PIR

Typical installation height 7 m.
Range: Horizontal 360°, Vertical 100°

3. High Bay PIR

Typical installation height 12 m
Range: Horizontal 360°, vertical 69°

4. Wide Angle PIR

Detection distance 5m
Range: Horizontal 150°, vertical 35° (+10° / -25°)

Energy consumption

Typical: 0.2 Watt

Radio

2.4GHz ISM band (2.400 – 2.4835 GHz)

Environment

Operating temperature -25°C to +70°C

(No frost, No condensation)

Relative humidity 10% to 90%

Installation height maximum 2000m above sea level

Housing

LxWxH: approx. 48.5 x 25.3 x 26 mm

Material: ABS (PA-765 UL94 V-0)

Weight: approx. 35 gram

Color: RAL9003

Protection degree

IP20

Order information

BLC.6000.001 Micro BLC DALI/0-10V

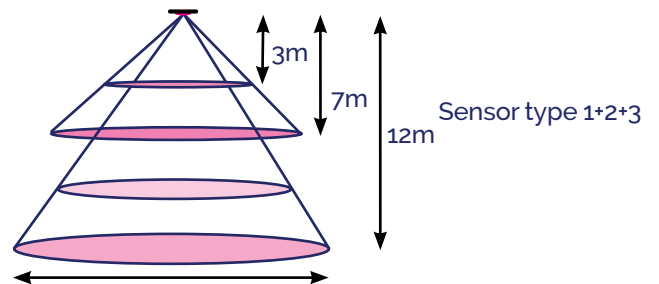
Add-on PIR

BLC.6402.001 - PIR Slight motion detection type

BLC.6401.001 - PIR Standard sensitivity

BLC.6400.001 - PIR High Bay

BLC.6403.001 - PIR Wide Angle



Sensor type 4

